

Application: Wall Mounted Eye Washer is used in rushing to deal with an emergency, quickly cleaning the deleterious material which attached to eyes.

Spray Head Assembly: Two spray heads. Each head has a dust cover, internal flow control and filter to remove impurities from the water flow.

Valve: 3/8" IPS stainless steel stay-open ball valve. Valve is activated by flag handle. Unit remains in operation until handle is returned to closed position.

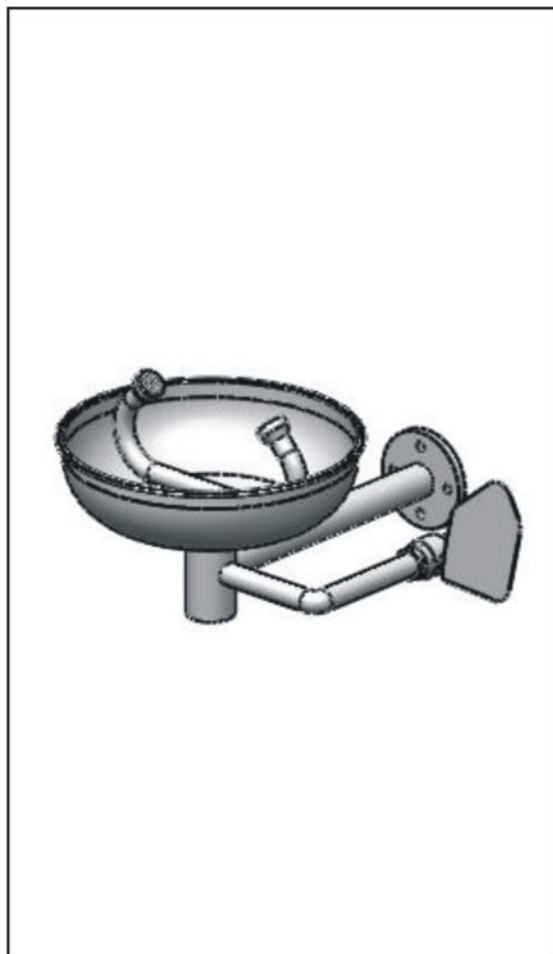
Eye Wash Bowl: 11-1/2" diameter. Bowl is stainless steel.

Pipe and Fittings: Schedule 1" stainless steel

Supply: 1/2" NPT female inlet.

Waste: 1-1/4" NPT female outlet.

Quality Assurance: Valve, bowl and spray head assembly is factory assembled.



Product Feature

- Controlled, low velocity flow completely rinses eyes and face is not injurious to user.
- Eye washer unit deliver 11.5 liters of water per minute.
- Outlet heads position meets 89/686/EEC and ANSI Z358.1-2004, DIN 12899 and UNI-9608-4.1990 standard.
- Protect spray heads from airborne contaminants.
- Valve actuator are easy to locate and readily accessible to user.
- Hands-free stay open valve activate within one second.
- Connect unit to uninterrupted water supply delivering at 3 GPM.

Eye Washer Assembly Instruction

Terysafe Eye Washer is designed for easy assembly in the wall. Essentially, these units are assembled from the “bottom up”, as described below :

1. Assemble PART 2 (BASE UNIT) to PART 1 (BASIN UNIT).
2. Connect the PART 2 (BASE UNIT) waste receptor to waste water outlet.

NOTES:

- All threads are tapered pipe and require pipe joint compound or Teflon tape to assure watertight connection.
- If unit is furnished with corrosion resistant epoxy coating, care must be taken to avoid damaging finish during assembly.
For best result, a strap wrench should be used.
- Test the entire unit for proper operation.

